

Car Alarm System

Code hopping



Manual

Contents

User's Manual

Important notice	2
Key features	2
Technical specifications	2
Brief introduction about transmitter	3
Transmitter's button function	3
Voice warning	4
Functions	5

Installation Manual

Wiring diagram	10
Central locking system installation	11
Installation of antenna	12
Jump switch	12
Trunk release circuit	12
Siren installation	13
Fuel pump cut (-)	13
Trunk release circuit	13
Engine killer circuit	13
Footbrake (+)	14
Installation of LED indicator	14
Door trigger (+)/(-)	14
ACC circuit	14
Shock sensor installation	14
Troubleshooting	15

Car Alarm System

User's Manual

Important notice

- Please install the system by a professional auto technician.
- Keep the product and the transmitters away from water.
- It is highly recommended to read this manual carefully before using this unit.
- This product will help you reduce the possibility of losing the car by discouraging theft. It is not a substitute for owner's vigilance. Please take the valuables with you when leaving the car.
- When the transmitter is off, please switch it on by pressing and holding Ⓢ button for 2 seconds before use.

Key features

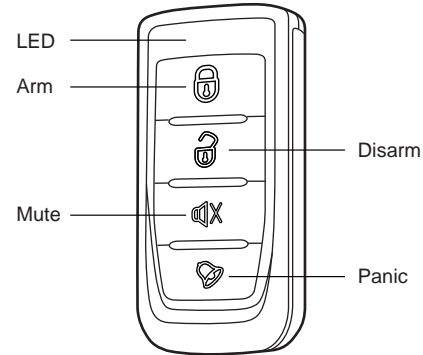
- Code hopping
- Dome light delay
- Hood trigger
- Metallic water resistant transmitters
- Prevent code copying
- Emergency override
- Voice warning (optional)
- Remote trunk release
- Match central locking system
- Valet mode
- Anti-hijacking
- Auxiliary trigger

Technical specifications

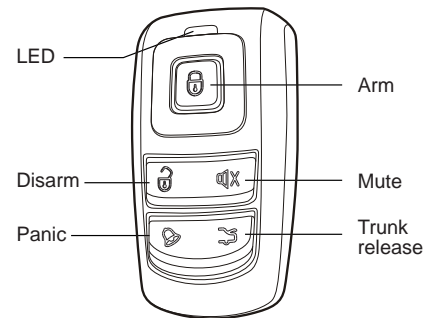
- | | |
|--------------------|-------------|
| • Working voltage: | 9V ~ 16V DC |
| • Static current: | < 20mA |
| • Siren SPL: | 105~125dB |
| • Frequency: | 433.92MHz |

Brief introduction about transmitter

4 button transmitter



5 button transmitter



Transmitter's button function

※ The transmitter is for reference only, the actual transmitters may vary.

Ⓜ Arm

Press Ⓜ button to arm in alarm arming mode and lock the doors.

🔇 Mute

Press 🔇 button to arm in mute arming mode and lock the doors.

🔓 Disarm

Press 🔓 button to disarm the system and unlock the doors.

📢 Panic

Press 📢 button once, the siren will chirp for 15 seconds with turn signals flashing in alarm arming mode (only turn signals flashing in mute arming mode).

🚗 Trunk release

Press 🚗 button (for 5-button transmitter) or press Ⓜ+🚗 button together (for 4-button transmitter) for 2 seconds, the trunk will be released.

Voice warning

"Armed"

When the engine is stopped, press Ⓜ button, the system will say "Armed".

"Disarmed"

In armed status, press 🔓 button, the siren will say "Disarmed".

"Mute armed"

When the engine is stopped, press 🔇 button, the system will say "Mute armed".

"Don't touch me"

If the system is triggered in armed status, the system will say "Don't touch me" twice in alarm arming status and once in mute arming status.

"Arm please"

5 seconds after the engine stopped and door closed, the system will say "Arm please".

"Please close the door"

When the engine is running and the door is not closed properly in 15 seconds, or when the door is not closed properly 5 seconds after arming the system, the system will say "Please close the doors".

"The car was impacted"

Disarm the system, if the shock sensor has been triggered, the system will say "The car was impacted" when the door is opened.

"The door was opened"

Disarm the system, if the door/hood/trunk has been opened, ACC has been turned ON, or footbrake has been pressed, the system will say "The door was opened" when the door is opened.

1. Alarm arming & locking the doors

Press Ⓜ button once on the transmitter, the doors will be locked with a short chirp. (If voice warning mode is on, the system will say "Armed") and turn signals flash once. The LED light flashes to indicate that the system is armed in alarm arming mode.

2. Mute arming & locking the doors

Press Ⓜ button once on the transmitter, the doors will be locked with turn signals flashing once and the siren will not chirp. (if voice warning mode is on, the system will say "Mute armed"). The LED light flashes slowly, the system is armed in mute arming mode.

3. Impacting shock sensor

In alarm arming mode, the first impact will trigger the system, the siren will chirp and turn signals will flash 3 times; For the second impact in 15 seconds, the siren will chirp 5 times, (If voice warning mode is on, the system will say "Don't touch me" twice) and turn signals will flash for 5 seconds; If the system is triggered again in 15 seconds, the siren will chirp sharply and turn signals will flash for 30 seconds, the engine will be immobilized.

In mute arming mode, the first impact will trigger the system. The siren will not chirp and turn signals flash 3 times. For the second impact in 15 seconds, turn signals will flash for 5 seconds, (If voice warning mode is on, the system will say "Don't touch me" once). If the system is triggered again in 15 seconds, turn signals will flash for 30 seconds and the engine will be immobilized.

4. Ignition, opening door/trunk/hood, pressing footbrake alarm

When the system is triggered by doors/hood opened, ACC ON, trunk released or footbrake pressed in alarm arming mode or in mute arming mode, the siren will chirp for 30 seconds with turn signals flashing continuously, the engine will be immobilized.

5. Disarming & unlocking the doors

Press Ⓜ button to disarm the system and unlock the doors.

In alarm arming mode, press Ⓜ button once, the doors will be unlocked, the siren will beep twice with turn signals flashing and the system will be disarmed. (If voice warning mode is on, the system will say "Disarmed").

In mute arming mode, press Ⓜ button once, the system will be disarmed and doors will be unlocked, the siren will not chirp, turn signals will flash twice. (If voice warning mode is on, the system will say "Disarmed").

6. Remote trunk release

Press Ⓜ button (for 5-button transmitter) or press Ⓜ+Ⓜ button together (for 4-button transmitter) for 2 seconds, the trunk will be released.

7. Car locating/panic

In alarm armed status, press Ⓜ button for 1.5 seconds, the siren will chirp for 15 seconds with turn signals flashing to locate the car.

In mute armed status, press Ⓜ button once, turn signals will flash for 15 seconds.

8. Anti-hijacking

Press Ⓜ button for 2 seconds will trigger the anti-hijack function when the engine is running. Turn signals will flash quickly with the siren chirping all the time until Ⓜ button is pressed. In 20 seconds, the engine will be immobilized (with/without engine immobilization function can be selected by changing the jump switch in the ECU).

※ Factory setting is "Engine immobilize".

9. Not-armed warning

5 seconds after the car is parked with the doors closed, the siren will chirp 3 times (If voice warning mode is on, the system will say "Arm please"), and turn signals will flash.

10. Passive arming

When the parked car is not armed in 1 minute, the system will arm in mute mode automatically and the doors will be unlocked.

※ Factory setting is "Passive arming".

11. Active arming (optional)

Passive/active arming function can be selected by changing the jump switch in the ECU

12. Re-arming automatically

Press Ⓜ button once, the system will be disarmed with the doors unlocked. If the door is not opened in 25 seconds, the system will re-arm automatically. For the car with dome light function, the system will re-arm automatically after the dome light turns off.

13. Open door reminding

When the system is armed and the door are not closed completely, 8 seconds later, the system will beep three times (If voice warning mode is on, the system will say "Please close the door"), with turn signals flashing. In mute arming mode, turn signals will flash 3 times.

You should disarm the system, close the doors completely and then arm the system again. Otherwise, the siren will chirp sharply for 4 minutes.

14. Central door lock/unlock automatically

15 seconds after the engine is running, the doors will be locked automatically by pressing footbrake. When the engine stops, the doors will be unlocked automatically.

During driving, press Ⓜ button to lock the doors, and press Ⓜ button to unlock the doors.

15 seconds after the engine is running, if the door or hood is not closed, the siren will chirp 3 times and turn signals will flash 3 times, (If voice warning mode is on, the system will say "Please close the door").

15. Warning for triggered system

If the system has been triggered in armed status, the siren will alarm when the system is disarmed and the door is opened:

1). When shock sensor is triggered, the siren will beep twice and the LED indicator will turn on for 3 seconds (If voice warning mode is on, the system will say "The car was impacted").

2). When door/trunk/hood is opened, or ACC is ON, or footbrake is pressed, the siren will chirp 4 times and the LED indicator will turn on for 3 seconds (If voice warning mode is on, the system will say "The door was opened").

16. Status preserving

If the power is cut off, the system will return to the former status in 5 seconds when the power is on again.

17. Dome light delay

This function is especially designed for the vehicle with dome light function. The system will enter the arming mode after the dome light turns off.

18. Emergency override

When the transmitter is lost or damaged and the car is armed, open the door with key, press the footbrake, turn the key to ACC ON/OFF 10 times continuously and stop at ON position, the LED light will turn on, and the system will be disarmed. Press @ button will activate the normal alarm function.

19. Valet mode:

This is very useful when valet parking, washing the vehicle or having it serviced. In valet mode, the system will not arm even with the transmitter, but convenience functions (door lock/unlock and trunk release) will work normally.

When ACC on, press Ⓜ button for 3 seconds, LED indicator will turn on, press Ⓜ button in 5 seconds, the siren will chirp once to indicate the system has entered the valet mode.

In valet mode, when ACC on, press Ⓜ button once, LED indicator will turn off and the siren will chirp twice to indicate the system is in normal alarm mode again.

20. Voice warning ON/OFF

Press @ button for 5 seconds, turn signals will turn on and the system will enter the voice selection mode. Press Ⓜ button to switch ON or OFF voice mode. When turn signals blink twice with the siren chirping, voice mode is ON. When turn signals blink twice without siren chirping, voice mode is OFF.

Press @ button to save and exit. If no action taken in 10 seconds, the system will also save and exit voice on or off mode automatically.

※ Factory setting is voice mode on.

21. LED indicator warning

In armed status: the LED indicator flashes twice every 2 seconds.

Impacted status: the LED indicator flashes 3 times every 2 seconds.

Door opened/ACC ON/hood triggered/trunk triggered/footbrake impacted status: the LED indicator turns on for 2 seconds and then pauses for 2 seconds.

Disarm the system after the system is triggered: the LED indicator is on for 3 seconds.

After emergency override: the LED indicator is on.
Valet mode: the LED indicator is on.

22. Transmitter programming

Press the learning button in the ECU, the LED indicator will turn on to enter the code learning mode.

1). Press @ button on the 1st transmitter once, the LED indicator will turn off.

2). Press @ button on the 1st transmitter again, the LED indicator will turn on. This indicate that the 1st transmitter is successful programmed.

3). Repeat steps 1) and 2) for the 2nd transmitter.

Only two transmitters are functional for one car alarm system.

23. Auxiliary trigger (-)

The auxiliary trigger is designed for protecting other devices (such as DVD, TFT monitor, car audio etc.).

24. Turn signals flashing ON/OFF for roadside stop

When stopping by the roadside with the door opened, turn signals will flash to warn the approaching vehicles, however, this function can be selected on or off.

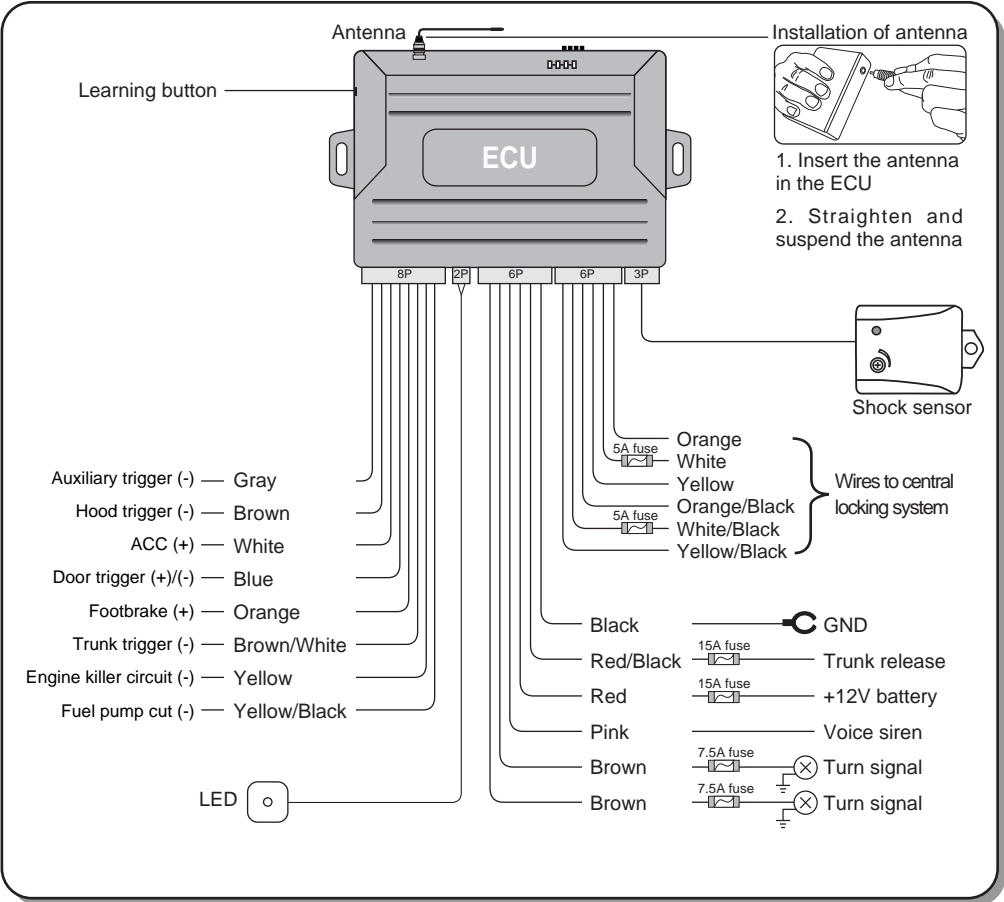
Press @ button for 5 seconds, turn signals turn on and enter turn signals flashing ON/OFF selection mode. Press Ⓜ button once, if turn signals flash once and then turn on, this indicates turn signal flashing mode is selected; if turn signals turn off, this indicates that turn signals nonflashing mode is selected.

After the selection, press @ button to save and exit.

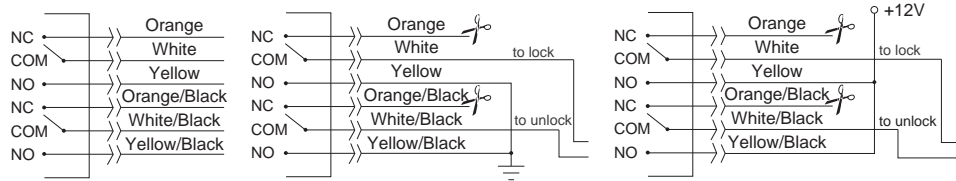
※ Factory setting is turn signals flashing off.

Car alarm system
Installation manual

Wiring diagram



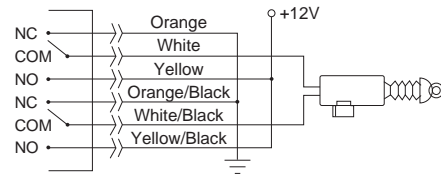
Central locking system installation



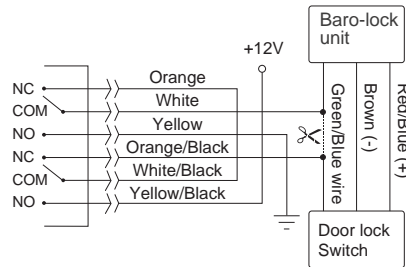
1. Principle

2. Negative trigger

3. Positive trigger



4. Positive/Negative trigger

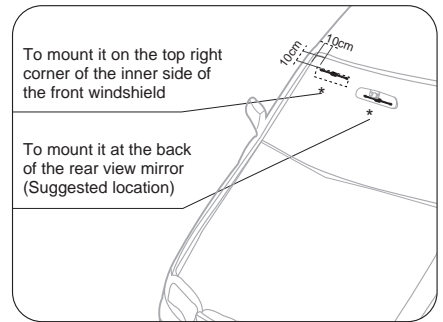


5. Vacuum-lock circuit

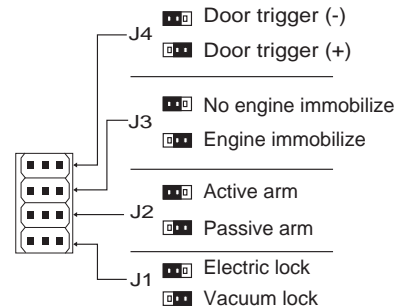
1. When the vehicle is with original central lock system, refer to Fig.2 (Negative trigger), or Fig. 3 (Positive trigger).
2. When the vehicle is with central locking system, the driver's door do not have motor, the other doors have motor. A new motor for driver's door is needed. Refer to Fig. 4.
3. When the vehicle is with vacuum-lock, please change the jump switch of the ECU to vacuum-lock position. Refer to Fig. 5.
4. When the vehicle is without central locking system, please install one set central locking system to match with the car alarm system. Refer to Fig. 2.

Installation of antenna

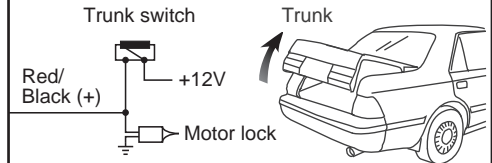
1. The antenna can be mounted at position * or *, if there's no solar film on the front windshield.
2. If the front windshield is covered with solar film, please remove the solar film within the dotted line before installing it at position *.
3. If all the windshield are covered with film, please mount it at position *.
4. The antenna must be kept away from any metal parts.



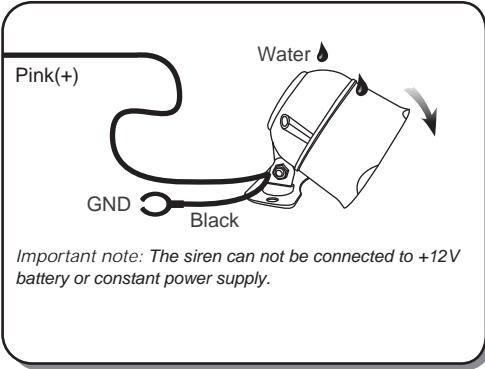
Jump switch



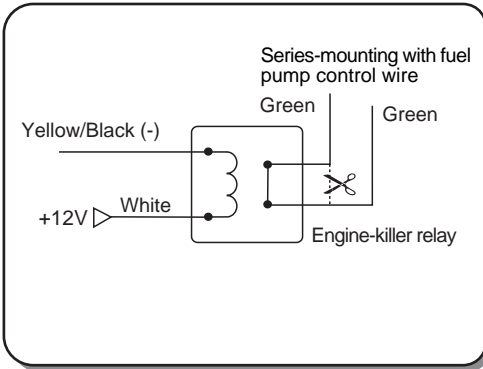
Trunk release circuit



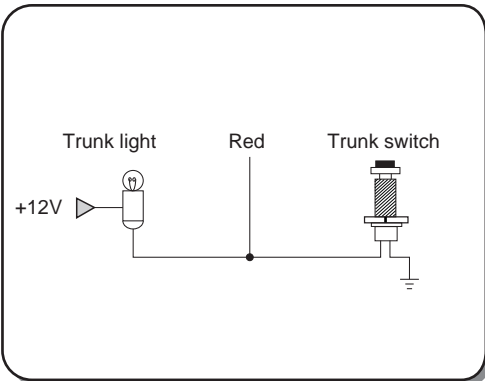
Siren installation



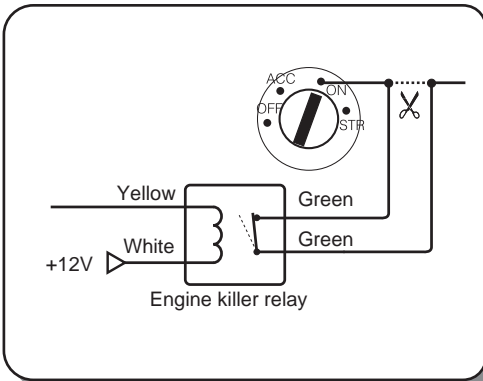
Fuel pump cut (-)



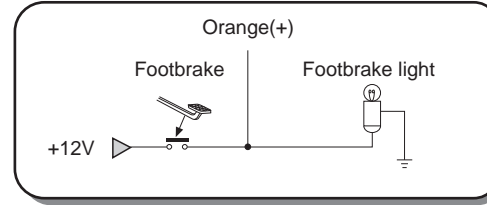
Trunk release circuit



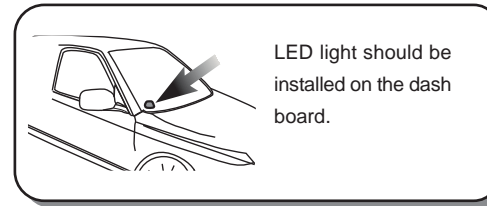
Engine killer circuit



Footbrake (+)

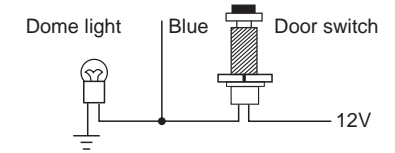


Installation of LED indicator

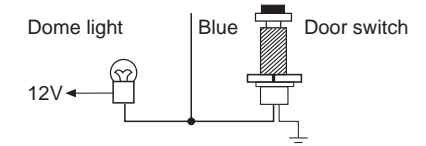


Door trigger (+)/(-)

Positive door trigger circuit (+)

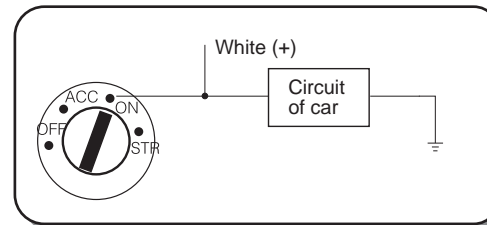


Negative door trigger circuit (-)

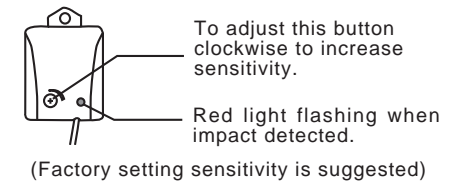


Notice: Please choose the correct trigger type according to the vehicle by changing the jump switch J3

ACC circuit



Shock sensor installation



Troubleshooting

Problems	Causes
1. The continuous chirping of the siren cannot be stopped by transmitter after installation of ECU.	<ul style="list-style-type: none"> 1 The plug is improperly inserted. 1 The wire is improperly connected. 1 The transmitter does not match the ECU. 1 The siren is damaged. 1 The fuse of the ECU is broken.
2. Turn signals don't flash after disarming the system and opening the door, or the siren does not chirp when the door is opened without disarming.	<ul style="list-style-type: none"> 1 Door trigger wire is not connected properly. 1 Door switch has problem. 1 The siren is damaged.
3. When the car parks on roadside and armed, there is false alarm when the heavy vehicle is passing.	<ul style="list-style-type: none"> 1 The sensitivity of the sensor is too high.
4. The central door lock does not work normally or does not work at all.	<ul style="list-style-type: none"> 1 The motor of central lock is damaged. 1 The wiring of central lock system is wrong. 1 Fuse is broken.
5. The siren does not chirp when the alarm system is triggered.	<ul style="list-style-type: none"> 1 The siren is damaged. 1 The wire connection between the siren and ECU has problem.
6. The siren chirps sharply in 10 seconds after arming and the same situation happened after disarming and re-arming it again.	<ul style="list-style-type: none"> 1 The sensor is damaged. 1 The doors or trunk is not closed.
7. Transmitter is ineffective or the control distance decreased significantly.	<ul style="list-style-type: none"> 1 The installation location of the antenna is wrong. 1 The wiring of the antenna to ECU has problem. 1 Tall building, radio tower or high frequency electromagnetic wave may affect the control range. 1 Low power of the battery. 1 The frequency of the transmitter has been changed. 1 The transmitter is broken or damaged.